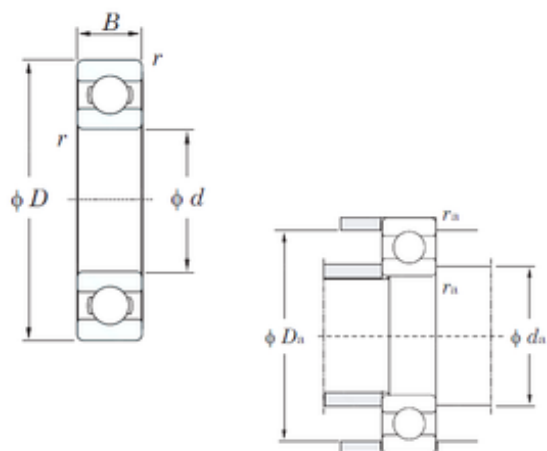




UIN BEARING CORP.



6303 6303zz 6303 2RS 17*47*14mm Bearing and
SKF NSK NTN Koyo Japan Brand Deep Groove
Ball Bearing 6301 6302 6303 6304 6305 6306 6307
6308 6309 6310

Bearing No. 6303

6303 Bearing 2D drawings and 3D CAD models

Size	17x47x14 mm
Bore Diameter	17 mm
Outer Diameter	47 mm
Width	14 mm
d	17 mm
D	47 mm
B	14 mm
C	14 mm
r min.	1 mm
da min.	22 mm
Da max.	42 mm
ra max.	1 mm
Weight	0,115 Kg
Basic dynamic load rating (C)	13,6 kN
Basic static load rating (C0)	6,65 kN
(Grease) Lubrication Speed	15000 r/min
(Oil) Lubrication Speed	18000 r/min
Category	Single Row Ball Bearings
Inventory	0.0
Manufacturer Name	KOYO
Minimum Buy Quantity	N/A
Weight / Kilogram	0.123
EAN	0605790071928



UIN BEARING CORP.

Product Group	B00308
Enclosure	Open
Precision Class	ABEC 1 ISO P0
Maximum Capacity / Filling Slot	No
Rolling Element	Ball Bearing
Snap Ring	No
Internal Special Features	No
Cage Material	Steel
Internal Clearance	C0-Medium
Inch - Metric	Metric
Long Description	17MM Bore; 47MM Outside Diameter; 14MM Outer Race Diameter; Open; Ball Bearing; ABEC 1 ISO P0; No Filling Slot; No Snap Ring; No Internal Special Features
Category	Single Row Ball Bearing
UNSPSC	31171504
Harmonized Tariff Code	8482.10.50.68
Noun	Bearing
Keyword String	Ball
Manufacturer URL	http://www.koyousa.com
Manufacturer Item Number	6303
Weight / LBS	0.272
Outside Diameter	1.85 Inch 47 Millimeter
Outer Race Width	0.551 Inch 14 Millimeter
Bore	0.669 Inch 17 Millimeter
Bearing No.	6303
r(min)	1
Cr	17.0
C0r	6.65
Cu	0.550



UIN BEARING CORP.

f0	12.4
Grease lub.	15000
Oil lub.	18000
da(min)	22
Da(max)	42
ra(max)	1
(Refer.) Mass(kg)	0.115