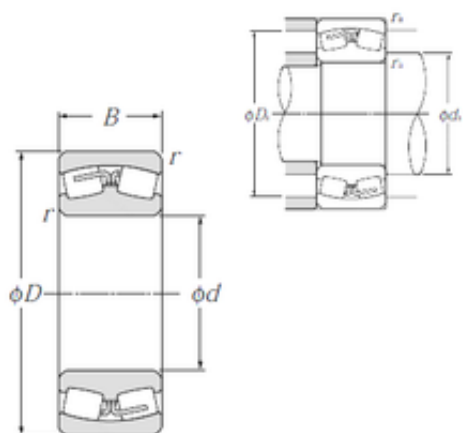




UIN BEARING CORP.

240/750B NTN Spherical Roller Bearings



Bearing No. 240/750B

Size	750x1090x335 mm
Bore Diameter	750 mm
Outer Diameter	1090 mm
Width	335 mm
d	750 mm
D	1 090 mm
B	335 mm
C	335 mm
r min.	7,5 mm
da min.	786 mm
Da max.	1 054 mm
ra max.	6 mm
Weight	1 060 Kg
Basic dynamic load rating (C)	10 100 kN
Basic static load rating (C0)	24 600 kN
(Grease) Lubrication Speed	220 r/min
(Oil) Lubrication Speed	280 r/min
Calculation factor (e)	0,29
Calculation factor (Y0)	2,29
Calculation factor (Y1)	2,35

240/750B Bearing 2D drawings and 3D CAD models