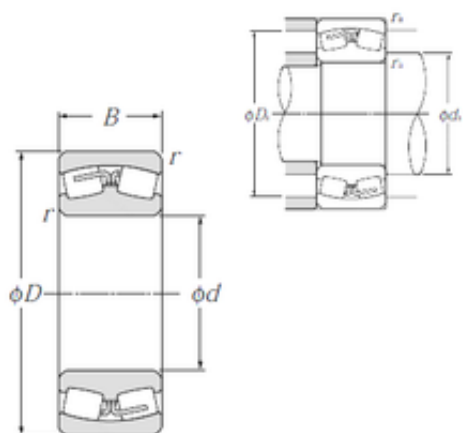




UIN BEARING CORP.

230/800B NTN Spherical Roller Bearings



Bearing No. 230/800B

Size	800x1150x258 mm
Bore Diameter	800 mm
Outer Diameter	1150 mm
Width	258 mm
d	800 mm
D	1 150 mm
B	258 mm
C	258 mm
r min.	7,5 mm
da min.	836 mm
Da max.	1 114 mm
ra max.	6 mm
Weight	890 Kg
Basic dynamic load rating (C)	8 400 kN
Basic static load rating (C0)	19 500 kN
(Grease) Lubrication Speed	220 r/min
(Oil) Lubrication Speed	290 r/min
Calculation factor (e)	0,21
Calculation factor (Y0)	3,08
Calculation factor (Y1)	3,15

230/800B Bearing 2D drawings and 3D CAD models